

# DF-513A

# 16 channel speaker selector



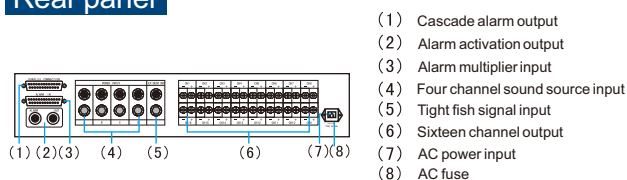
## Specification parameter

Model	DF-513A
A group input	70V/100V, audio signal CH1-CH4
B group input	70V/100V, audio signal CH5-CH8
C group input	70V/100V, audio signal CH9-CH12
D group input	70V/100V, audio signal CH13-CH16
E group input	70V/100V, EM audio signal CH1-CH16
Operative channel	16 channel, CH1-CH16
Channel output operation	Manually selected or activated by alarm signals for any channel
Channel switching capability	Total capacity of audio signal input: 1.5KW; The average distributable load capacity for channel 375W; Total capacity of emergency alarm (alarm) audio signal input: 1.5KW; The average distributable load capacity for each corresponding zone 94W; When only one channel is available, it can take in 1.5KW
Channel switching capability	1.5KW audio signal
Alarm activation Output	(0V) short cut signal 2 channels (ALARM OUT)
Power supply	AC 220V+10% 50-60Hz
Power consumption	15-20W
Protection	AC FUSEXO. 5AX1
Dimension	89(H)X483 (H) X366 (D) mm
Net weight	6.8Kg
Gross weight	8.36Kg

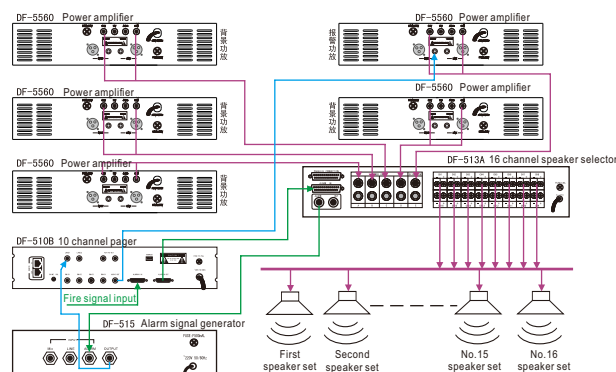
## Features

- Public Address System 16 Zone Speaker Selector
- Can access 1-4 broadcast amplifiers
- Can activate zone alarm for emergency fire broadcasting
- 4 channel background music inputs (70V/100V audio signal) and one emergency alarm input (70V/100V audio signal)
- 16 channel status indicator to display the working status of each channel

## Rear panel



## Typical connection



# DF-513B

# Dual 5 channel speaker selector



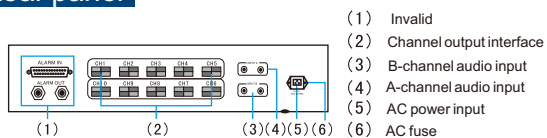
## Specification parameter

Model	DF-513B
A group input	70V/100V, audio signal CH1 ~CH5
B group input	70V/100V, audio signal CH6 ~CH10
Operative channel	Dual 5ch, Single 10 channel
Channel output select	Manually
Channel output capacity	Total capacity of audio signal input: 1.5KW; Each channel 150W, and when only one channel available, it can take 1.5KW
Channel switching capability	1.5kW, audio signal
Alarm activation input	invalid
Alarm activation output	invalid
Protection	AC FUSE X 0. 5AX1
Power supply	AC 220V ±10%50 ~60Hz
Power consumption	10 ~15W
Dimension	89(H)X483 (W) X366(D)
Packaging size	185 (H)X520(W) X435 (D) nvn
Net weight	6.26kg
Gross weight	7. 82kg

## Features

- 2 channel power amplifier inputs for dual 5 channel or single 10 channel (70V/100V audio signal)
- 10 channels be opened/closed through the panel buttons
- Each channel load power ≤ 200W and a total control power ≤ 2000W.

## Rear panel



## Typical connection

