

User's Manual

AL-10M 10-channel Monitor Panel

Features:

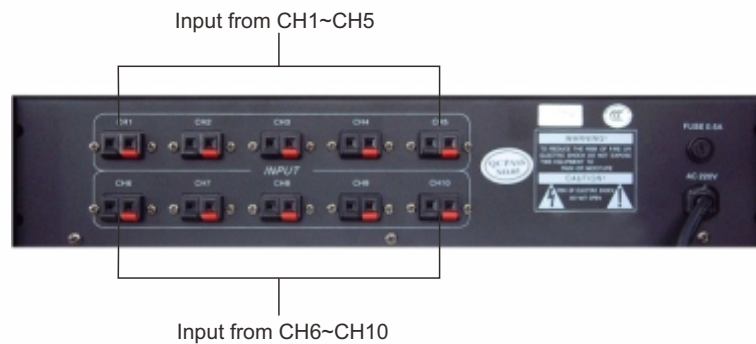
- 10 monitoring channels
- Built-in monitoring speaker
- Adjustable monitoring volume
- LED indicators for levels

Front Panel:



1. Monitoring volume control
2. Monitor speaker
3. Channel switch
4. LED indicator

Rear Panel:



Operation:

1. Wiring the equipment to your system
2. Select the channel desired through the channel switch in front, and the built-in speaker will deliver the sound of the channel
3. Adjust the volume at front volume controller if needed
4. Make sure the polarity is correct, otherwise it won't work properly

User's Manual

Specification

Model	AL-10M
Built-in Speaker Power	5W
Line IN	70V/100V (output audio signal from amplifiers)
Frequency Response	100 Hz~16 kHz \pm 3.5dB
Total harmonic distortion(THD)	<0.5at 1/3 Rated power
Signal to Noise Ratio S/N	>70 dB 1.5 mV
Monitored channel number	10 (CH1-CH10)
Monitoring speaker	Built-in high-fidelity (HiFi) 5W full frequency speaker
Function Key	1 power switch, a selector knob (0-10), a monitoring volume control
Indicator	POWER ON, LEVEL 2, 4, 6, 8 and 10
Protection	AC FUSE X 500mAL X 1
Power cord	(3 \times 0.75 mm ²) \times 1.5M (Standard)
Power	AC 220V/50Hz
Power Consumption	10~15W
Machine Size	89(H) X 483(W) X 366(D)mm
Carton Size	185(H) X 520(W) X 435(D)mm
Net Weight	6.34 kg
Gross Weight	7.88 kg