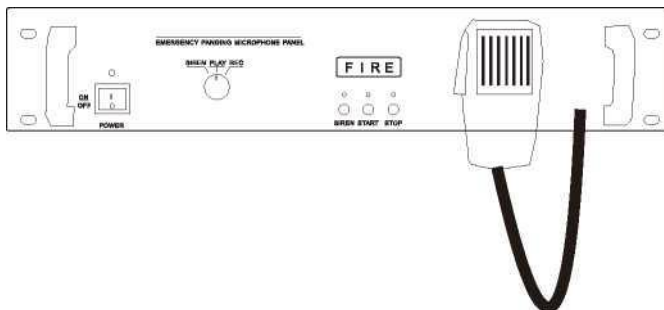


# User Manual



Emergency Paging Microphone Panel

Please read this user manual carefully before operation.

## Specifications

Model	DK-1215A
REC Signal Input	MIC input 8mV, Unbalanced
	LINE input 330mV, Unbalanced
BALANCE Output	SIREN/PLAY/EMIO +1.2V, ^-1.2V, Balanced signal
ALARM Input	Short-circuit signal input
TRIG Output	Short-circuit signal activation output
ALARM Activation Mode	Manual operation/Alarm signal
Power Consumption	<10W
Power Supply	AC220V
Dimension (WxDxH)	483x366x89mm
Weight	5Kg

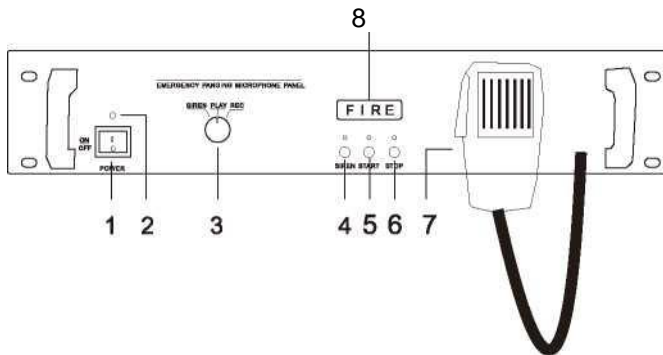
## **Descriptions**

The DK-1215A Emergency Paging Microphone Panel is designed perfectly for emergency situations. Users such as fireman are able to make announcement to all zones connected to PA system. It is equipped with a built-in siren, message recorder & handheld microphone. Additionally, the handheld microphone has the highest priority over BGM & normal paging. The DK-1215A has an advanced Paging Microphone Automatic Activation(PMAA) function which can automatically send short-circuit signals to activate ALL CALL at zone selector since the handheld microphone is used. Siren/Rec messages can be triggered manually or automatically by incoming alarm signal.

## **Features:**

- "FIRE" LED display screen with flashing indicator • 50 seconds message recording
- Short circuit to activate ALL CALL at zone selector
- Built in siren
- Volume control for handheld mic and recording mic

## Front Panel & Rear Panel



© ① ② ③ ④ ⑤ ⑥ ⑦ ⑧ ⑨ ⑩ ⑪ ⑫ ⑬ ⑭ ⑮ ⑯ ⑰ ⑱ ⑲ ⑳ ㉑ ㉒ ㉓ ㉔ ㉕ ㉖ ㉗ ㉘ ㉙ ㉚ ㉛ ㉜ ㉝ ㉞ ㉟ ㊱ ㊲ ㊳ ㊴ ㊵ ㊶ ㊷ ㊸ ㊹ ㊺ ㊻ ㊼ ㊽ ㊾ ㊿ 0 1 2 3 4 5 6 7 8 9 10 11 12 13 14 15 16 17

**1 POWER**

**2 POWER LED**

**3 OPERATION SELECTING KNOB**

SIREN/PLAY/REC selector

**4 SIREN BUTTON**

Manual siren button

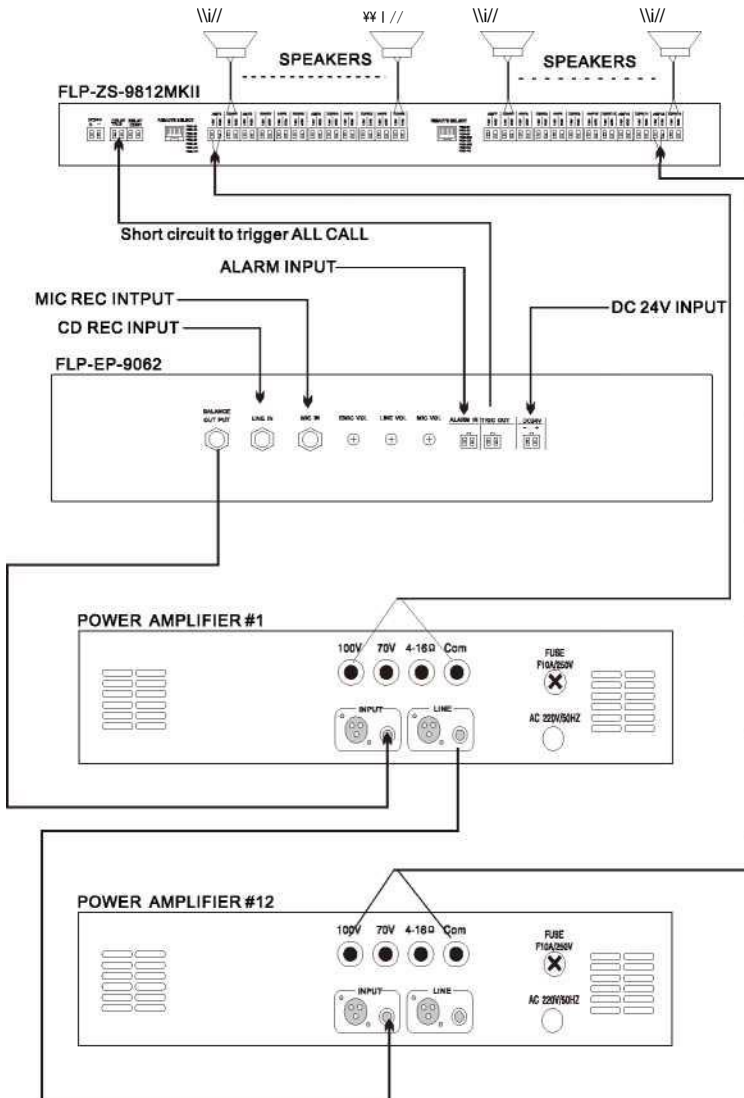
**5 START BUTTON**

Start button for recording and play

**6 STOP BUTTON**

Stop button for recording, manual play & siren

# Connection Diagram



#### **4. Use of Emergency Paging Microphone**

At the emergency situation, handheld microphone can be used to make announcement directly with highest priority over other in puts. Pressing the handheld microphone will automatically trigger short circuit signal from “TRIG OUT” port to activate ALL CALL at speaker zone selector.

#### **5. Red “FIRE” flashing alarm indicator**

During the manual play, automatic play, manual siren, automatic siren and emergency paging, the red “FIRE” in LED display screen will flash automatically, and will stop displaying when alarm signal or manual operation stopped.

#### **6. Stop to output the activation signal**

During the automatic play and automatic siren, it will automatically trigger short circuit signal from “TRIG OUT” port to activate ALL CALL at speaker zone selector. To cancel this, press “STOP” button for 5 sec on ds.

**7 EMERGENCY PAGING MICROPHONE**

**8 FIRE INDICATOR**

**9 BALANCE OUTPUT**

Balance audio signal output

**10 LINE IN**

Line input for recording

**11 MIC IN**

Microphone input for recording

**12 EMIC VOL**

Volume control for emergency paging microphone

**13 LINE VOL**

Volume control for line input

**14 MIC VOL**

Volume control for microphone input

**15 ALARM IN**

Fire alarm short circuit signal input

**16 TRIGOUT**

Short circuit signal activation output

**17 DC24V**

## Operations

### 1 .When knob turned to "REC" position

Press "START" butt on	Start recording message for 50 seconds through "MIC IN" & "LINE IN" inputs on rear panel.
Press <sup>K</sup> STOP <sup>H</sup> butt on	Stop recording and the message saved automatically. The stored message will be override by next recording message.

### 2.When knob turned to "PLAY" position (to PLAY the recording message)

<i>Manual Play</i>	Press "START" button	Start playing the recording message and automatically trigger short circuit signal from "TRIG OUT <sup>H</sup> " port to activate ALL CALL at speaker zone selector.
	Press "STOP" button	Stop playing the recording message.
<i>Automatic Play</i>	"ALARM IN" being triggered	<p>Automatically broadcast the recording message and trigger short circuit signal from "TRIG OUT<sup>M</sup>" port to activate ALL CALL at speaker zone selector.</p> <p>Press <sup>K</sup>STOP<sup>H</sup> button for 5 seconds to cancel ALL CALL at speaker zone selector.</p>



### 3. When knob turned to "SIREN" position

<i>Manual Siren</i>	Press "START" button	Start playing the built-in siren and automatically trigger short circuit signal from 'TRIG OUT" port to activate ALL CALL at speaker zone selector.
	Press "STOP" button	Stop playing the built-in siren.
<i>Automatic Siren</i>	"ALARM IN" being triggered	Automatically broadcast the built-in siren and trigger short circuit signal from "TRIG OUT" port to activate ALL CALL at speaker zone selector.  Press "STOP" button for 5 seconds to cancel ALL CALL at speaker zone selector.