

## LH-12

## 12 Channels Monitor Panel



### Description

LH-12 monitor panel is to monitor operating status of public address system, up to 12 zones. Its slick 1U frame provides an easy installation and a 1W speaker with clear sound. This system has 12 channel LED indicators and 5 segment LED level meter on the front panel. It runs seamlessly with the amplifier changeover, ensuring a smooth operation with minimal failure. Suitable to calibrate the amplifiers' sound output level in the PA system.

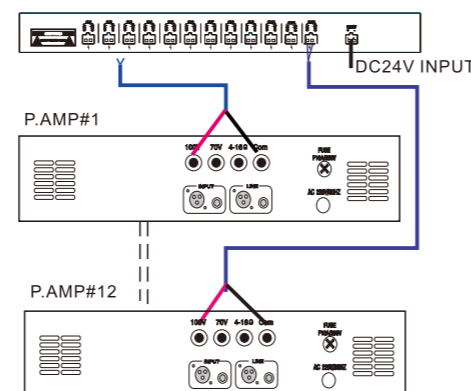
### Features:

1. Capable of monitoring up to 12 amplifier outputs
2. 12 LED Channel Indicators and 5-segment LED level meter for visualized display.
3. 12 inputs for 70/100V line amplifier outputs
4. Audio monitoring with volume control
5. Can be used as a tool to calibrate sound output level for each amplifier

### Technical Specification

Model	
Power Supply	24VDC
Power Consumption	< 50mW
Input Channel	12 Channels
Input Signal Voltage	70V/100V
Audio Monitoring	1W speaker with volume controller
Visual Monitoring	Output signal LED meter
Dimensions (WxDxH) mm	484x245x44
Weight	5Kg

### Connection Schematic



## LH-13

## 12CHANNEL ZONE SELECTOR



### Description

- 1 Set the unit with correct address code. If only one unit is connected to the system, the address code must be set to "1". If there are multiple units, the order must be set to "1,2,3,4 ... 8", and can only connect up to 8 units.
- 2 Connect the network cable according to the correct connection method (please refer to the network cable port wiring definition diagram).
- 3 Connect the corresponding amplifier and speaker group to the corresponding ports according to the correct wiring method Note The total power t ( : - o the single channel  $\leq$  ). 250W
- 4 When plugging and unplugging the network cable, you must ensure that other devices connected to this device are powered off.
- 5 When connecting DC24V power supply the current must be 1A to the DC input . (  $\geq$  ) terminal pay attention that the positive and negative cannot be connected in reverse

### Features:

1. This unit is powered by external stabilized voltage supply of DC 24V current 1A.
2. This selector can switch on/off manually through pressing the zone buttons on front panel, and the zones also can be controlled by the zones button on the panel of digital paging console LH-13, and the control mode adopts 485 signal control.
3. Each unit has individual address code, and with RJ45 8-core network ports which include one group 485 signal, one group balanced audio signal, one group DC24V.
4. There is an emergency alarm short-circuit activation signal input terminal. Once a short-circuit signal is input, all zones can be switched on automatically. After the short-circuit signal is removed, the original state is restored automatically.
5. 12 channel constant 100V input signals, correspond with 12 output signals.

### Technical Specification

Model	LH-13
Power Supply	24VDC
Power Consumption	$\leq$ 13W
Channels	12 channels
All channels output total power	$\leq$ 3000W
Single channel output	$\leq$ 250W
Dimensions (WxDxH) mm	485*155*500mm
Weight	2.0Kg

### Connection Schematic

